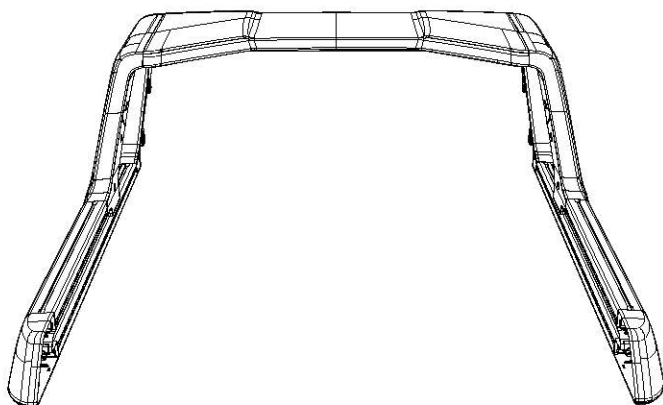


 **Genuine Accessories**

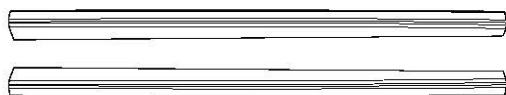
TK1 Sports Bar

Installation Manual

Parts List



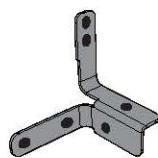
Sports Bar (1EA)



Outer Cover LH/RH (1Set)



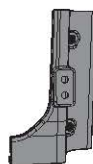
Reinf BRKT No. 2
LH/RH (1Set)



Reinf BRKT No. 1
LH/RH (1Set)



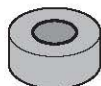
Sports Bar Dedicated Bed Rail LH/RH (1Set)



INR Cover No. 3
LH/RH (1Set)



INR Cover No. 4
LH/RH (1Set)



Bushing
(6EA)



M8x15 Bolt
(10EA)



M8x20 Bolt
(8EA)



M8x25 Bolt
(6EA)



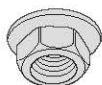
M8x40
Hex Bolt (2EA)



M8x50 Bolt
(8EA)



M8x15
Low Head Bolt (6EA)



M8 Nut
(4EA)



Washer
(4EA)



Watertight Pad
(8EA)



Installation
Manual

Installation tool



Clip Remover



Plastic Remover



Long Nose
Plier



TORX Wrench
(TORX 40)



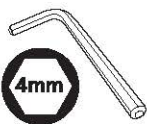
Air Gun



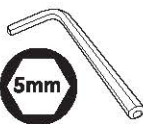
Vacuum



Torque Wrench



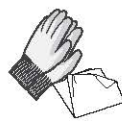
Ball Wrench
(4mm)



Ball Wrench
(5mm)



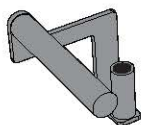
IPA



Clean Cloth,
Clean Gloves



Safety
Shoes



Special Tool



Spanner
(12mm)



Socket
(12mm)



Ball Wrench
Socket
(4mm)



Ball Wrench
Socket
(5mm)



Caution

※ Precautions for sports bar installation

- Please first replace 'Quarter Fixed Garnish'.
Then start Sports Bar Installation.

- ① 'Quarter Fixed Garnish' replacement
- ② Sports Bar installation

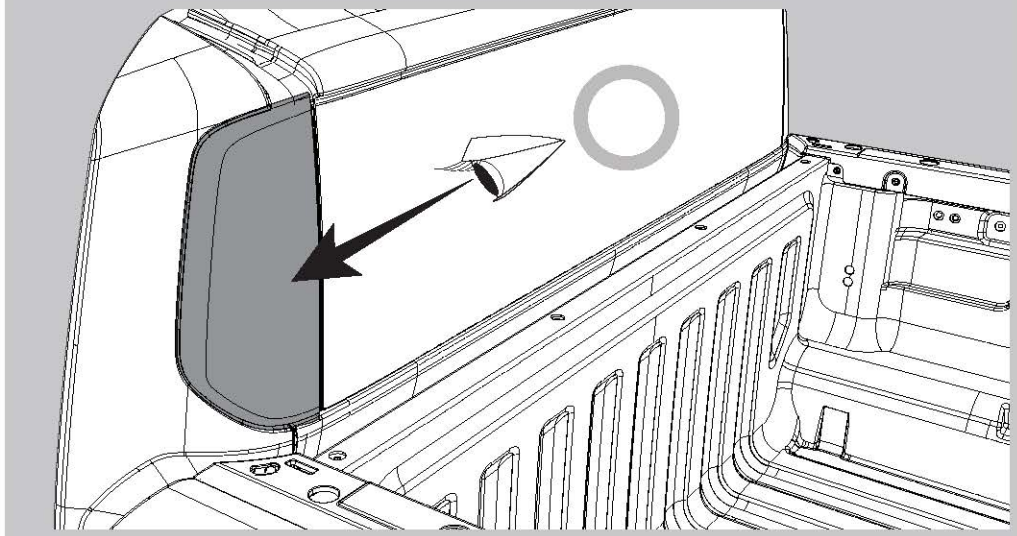
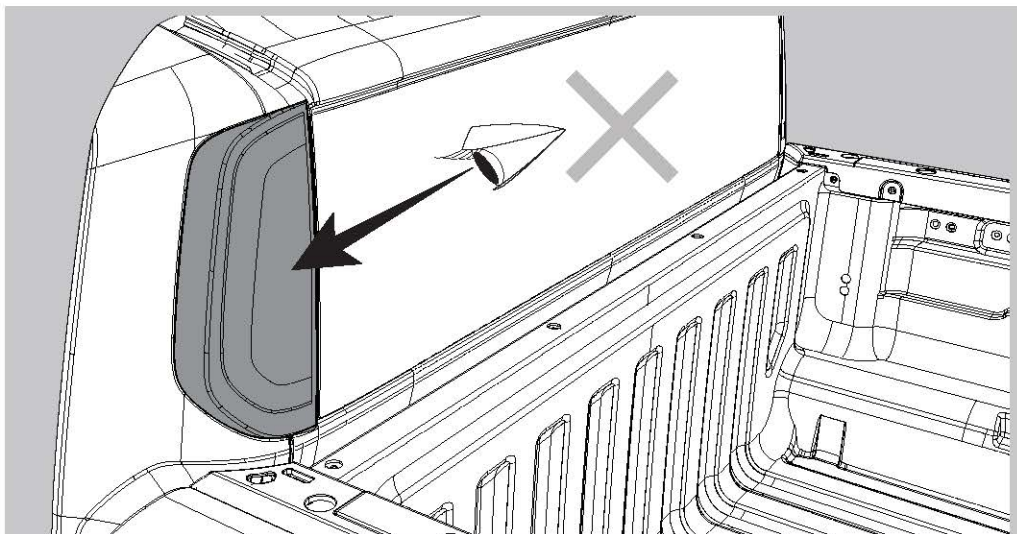
※ Please proceed with the installation work in pairs.

※ Please pay special attention to physical injuries when handling 'Sports Bar'.

※ Be sure to read and understand the precautions for use of the 'Sports Bar'.

※ The manufacturer is not responsible for accidents, physical injuries, damage to the product, or financial loss in case of failure to comply with installation and precautions for use.

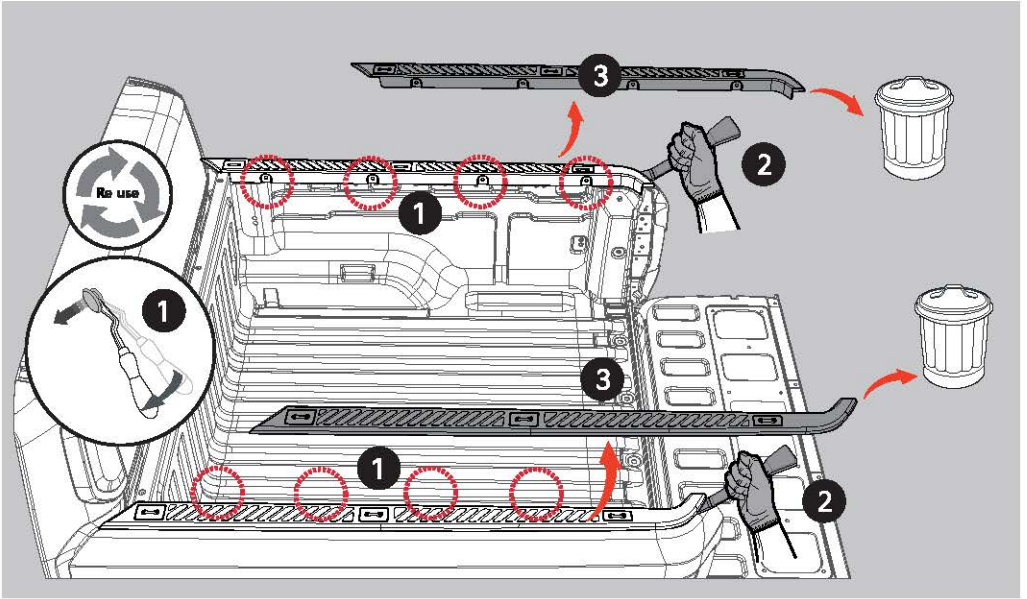
Ready to fit (Sports Bar)



**- Please first replace 'Quarter Fixed Garnish'.
Then start Sports Bar Installation.**

- ① 'Quarter Fixed Garnish' replacement
- ② Sports Bar installation

Installation (Sports Bar)

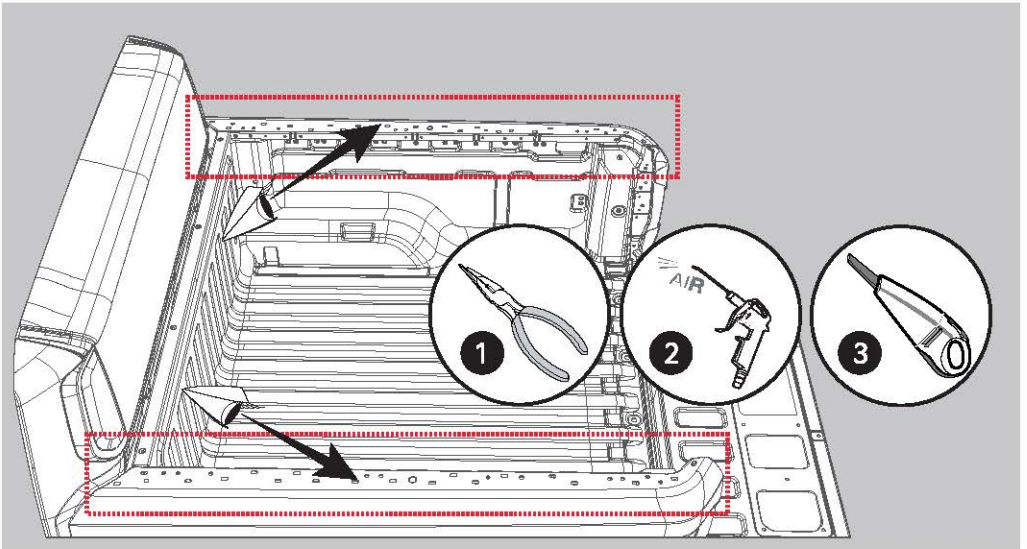


1-1. Please open the tailgate.

1-2. Remove the 8 plastic retainers on the bed rails.

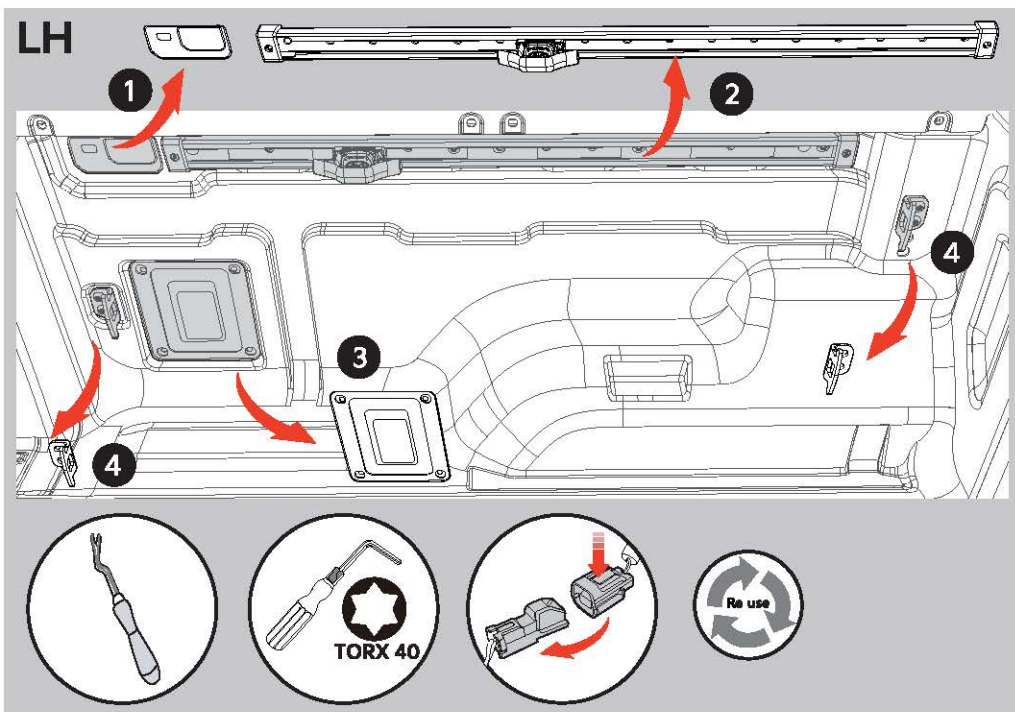
1-3. Remove the bed rail using a plastic remover.

※ Please note that the removed plastic retainer is reused.

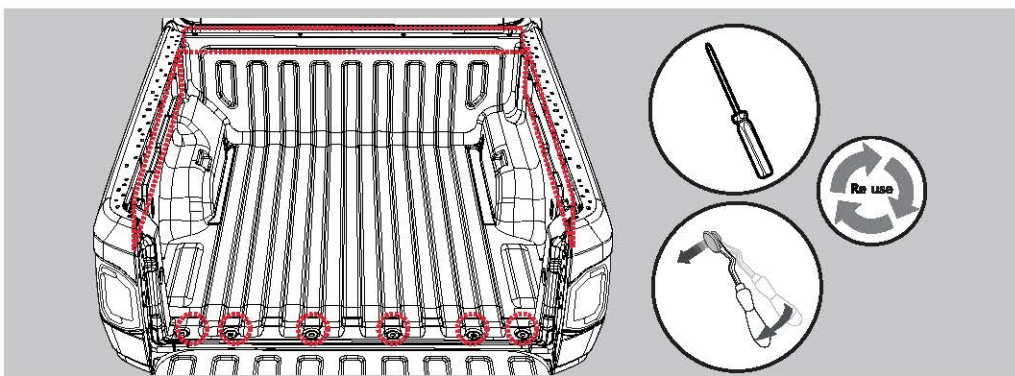


2. Remove the clip pieces and residues from the clip hole using a Long Nose Plier, Air Gun, and Vacuum.

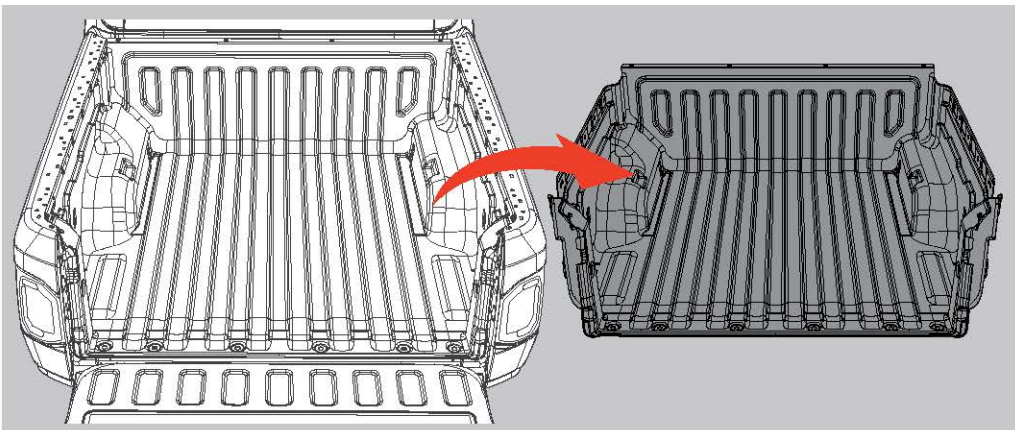
※ Please work carefully to avoid damage to the panel.



- 3-1. Remove the lamp case mounted in the direction of the bed liner LH using a clip remover.
 ※ Please disconnect the adapter.
- 3-2. Remove the side rail installed in the direction of the bed liner LH using the TORX wrench.
- 3-3. Remove the adapter case attached to the direction of the bed liner LH using the TORX wrench.
 ※ Please disconnect the adapter.
- 3-4. Remove the securing ring attached to the direction of the bedliner LH using the TORX wrench.
- 3-5. Please work in the same process for RH passenger's direction.

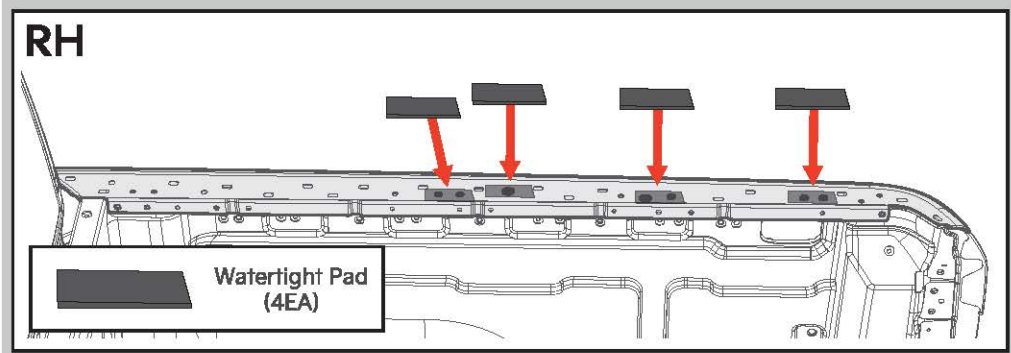
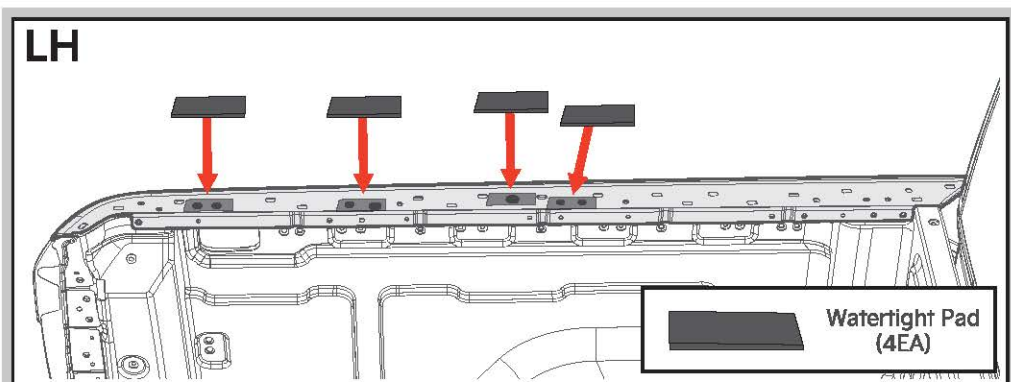


4. Remove the retainer fastened to the bed liner using the clip remover and driver (+).
 ※ Please note that the removed plastic retainer will be reused.



5. Remove the bed liner from the vehicle panel.

※ Please keep the bed liner in a safe place.



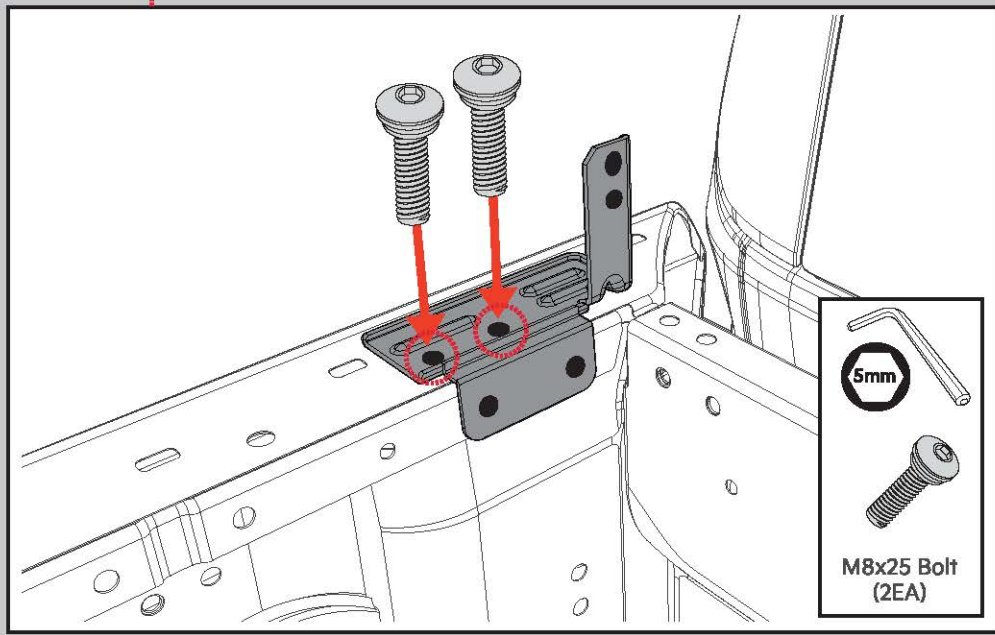
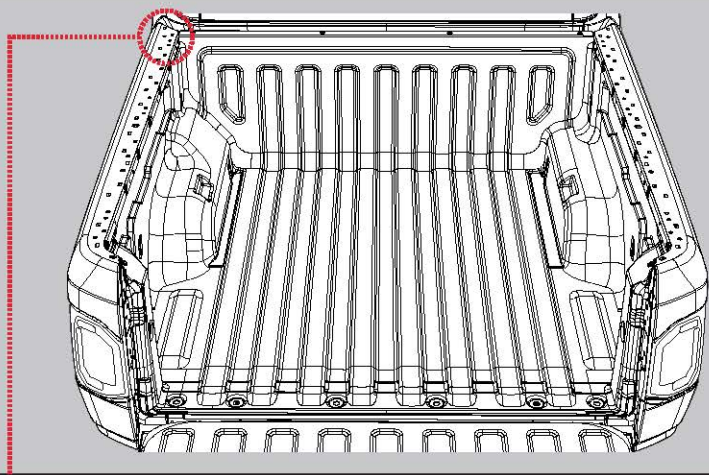
6-1. Attach 4 Watertight Pads to the holes in the panel where the bed rails in the LH direction have been removed.

6-2. Attach 4 Watertight Pads to the holes in the panel where the RH direction bed rails have been removed.

※ Remove and attach the tape on the back of the watertight pad.

※ Refer to the picture and attach it to the correct position to block the panel hole.

LH

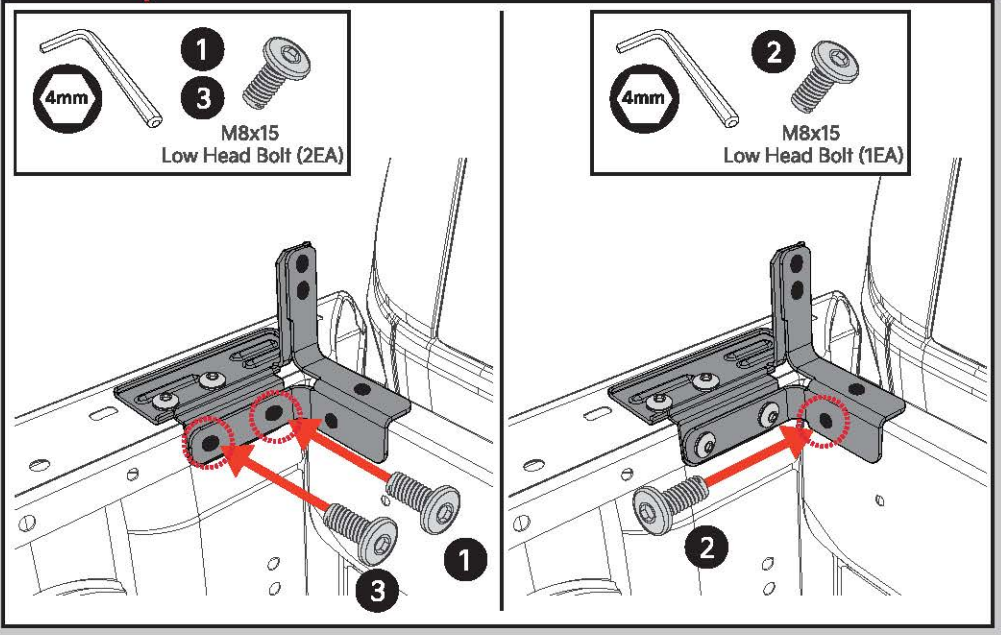
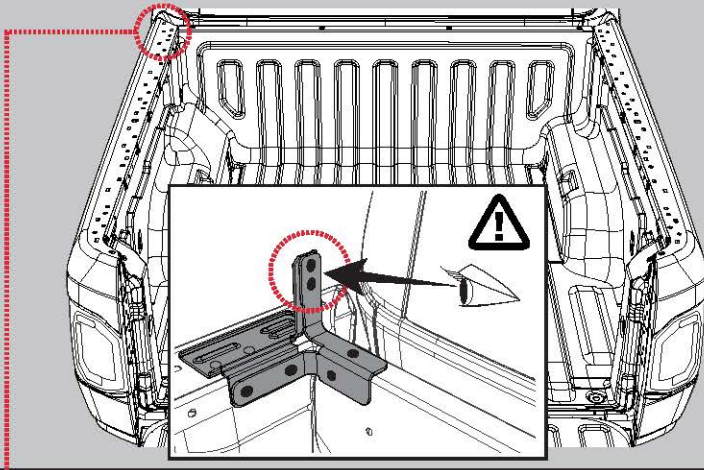


7-1. Please temporarily engage Reinf BRKT No. 2 LH using 2 M8x25 bolts in 2 holes in LH direction.

※ Please pay attention to Reinf BRKT No. 2 LH/RH direction.

7-2. Please repeat the same operation for RH direction.

LH



8-1. Reinf BRKT No. 2 Please temporarily engage Reinf BRKT No. 1 LH using one M8x15 Low Head Bolt in one hole in front of LH.

※ Please pay attention to Reinf BRKT No.1 LH/RH direction.

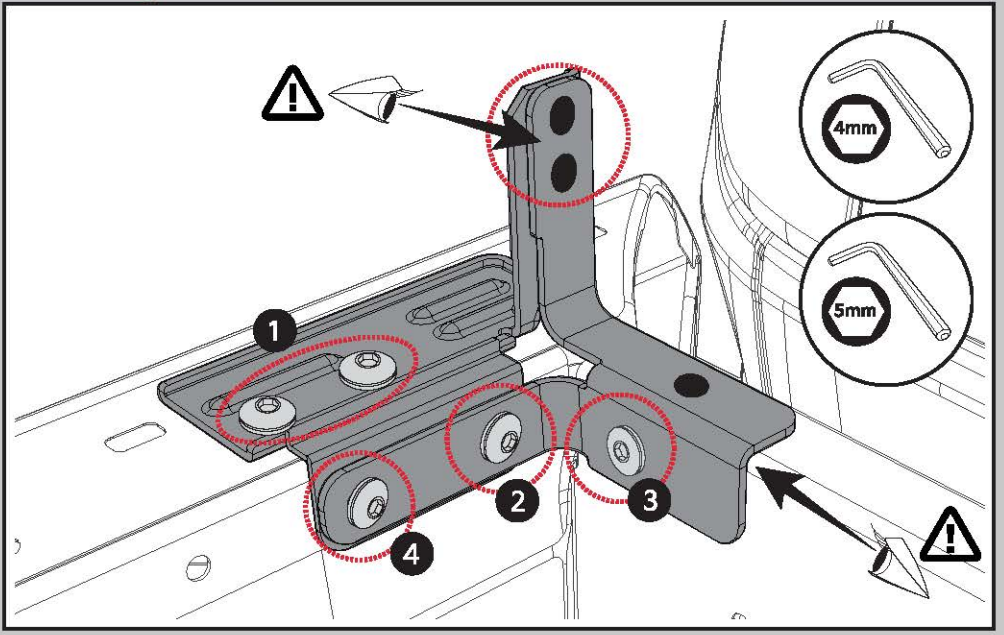
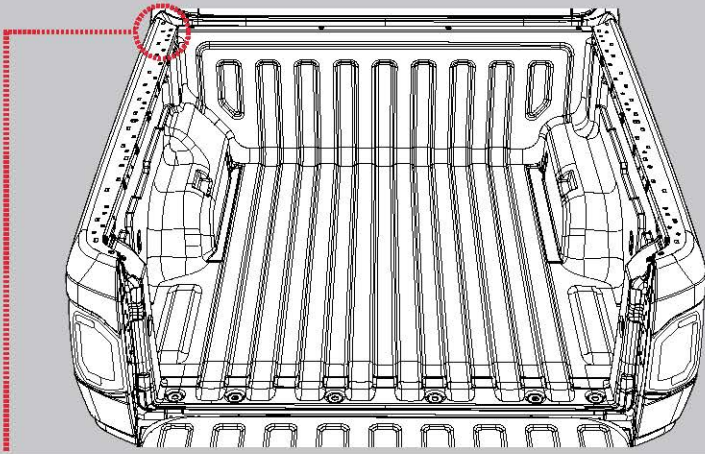
8-2. Using one M8x15 Low Head Bolt, provisionally fasten Reinf BRKT No. 1 LH to the vehicle.

8-3. Reinf BRKT No. 2 Please temporarily engage Reinf BRKT No. 1 LH using one M8x15 Low Head Bolt in one hole behind LH.

※ Please make sure that the two holes in Reinf BRKT No. 1 and 2 at the top match exactly when you are engaged.

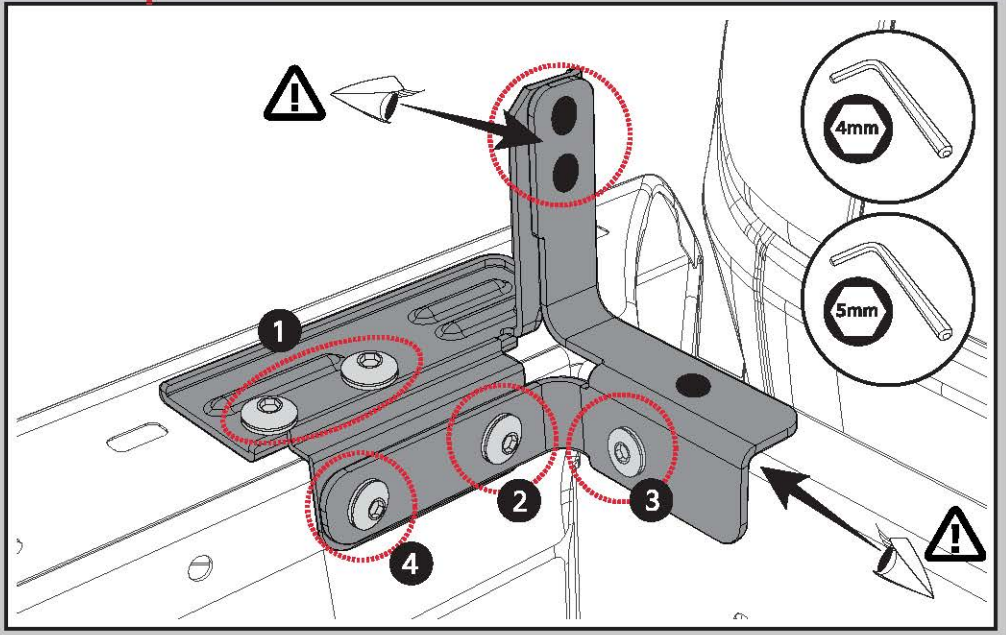
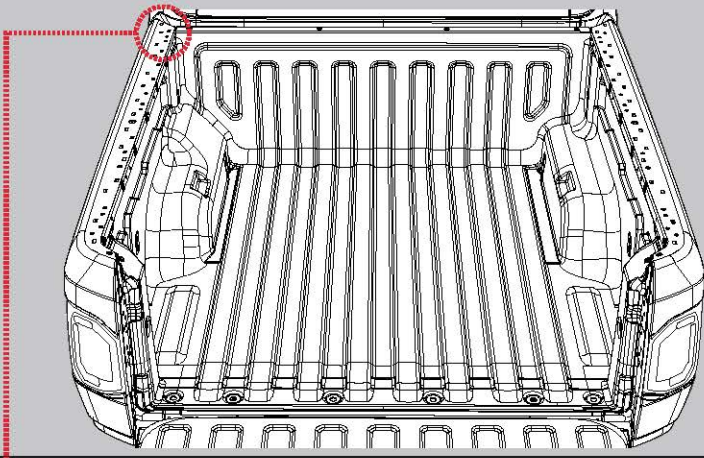
8-4. Please repeat the same operation for RH direction.

LH



- 9-1. Reinf BRKT No. 2 Please sign the two M8x25 Bolts signed on the top of LH.
※ The M8 Bolt reference torque value is 8.0 N·m (81.60 kgf·cm, 70.80 lbf·in).
- 9-2. Reinf BRKT No. 2 Please fasten one provisional M8x15 Low Head Bolt to one hole in front of LH.
※ The M8 Bolt reference torque value is 8.0 N·m (81.60 kgf·cm, 70.80 lbf·in).
- 9-3. Please sign one M8x15 Low Head Bolt provisionally attached to Reinf BRKT No. 1 LH.
※ The M8 Bolt reference torque value is 8.0 N·m (81.60 kgf·cm, 70.80 lbf·in).
- 9-4. Reinf BRKT No. 2 Please fasten one provisional M8x15 Low Head Bolt to one hole behind LH.
※ The M8 Bolt reference torque value is 8.0 N·m (81.60 kgf·cm, 70.80 lbf·in).
※ Please make sure that the two holes of Reinf BRKT No. 1 and 2 at the top match exactly when fastening.
※ Make sure that Reinf BRKT No. 1 and 2 match the vehicle panel exactly when engaged.
- 9-5. Please repeat the same operation for RH direction.

LH



10-1. Reinf BRKT No. 2 Please fully fasten the two M8x25 Bolts that are fastened to the top of LH.

※ The M8 Bolt reference torque value is 16.0 N·m (163.2 kgf·cm, 141.6 lbf·in).

10-2. Reinf BRKT No. 2 Please fully fasten 1 M8x15 Low Head Bolt fastened to 1 hole in front of LH.

※ The M8 Bolt reference torque value is 16.0 N·m (163.2 kgf·cm, 141.6 lbf·in).

10-3. Reinf BRKT No. 1 Please completely fasten 1 M8x15 Low Head Bolt signed to LH.

※ The M8 Bolt reference torque value is 16.0 N·m (163.2 kgf·cm, 141.6 lbf·in).

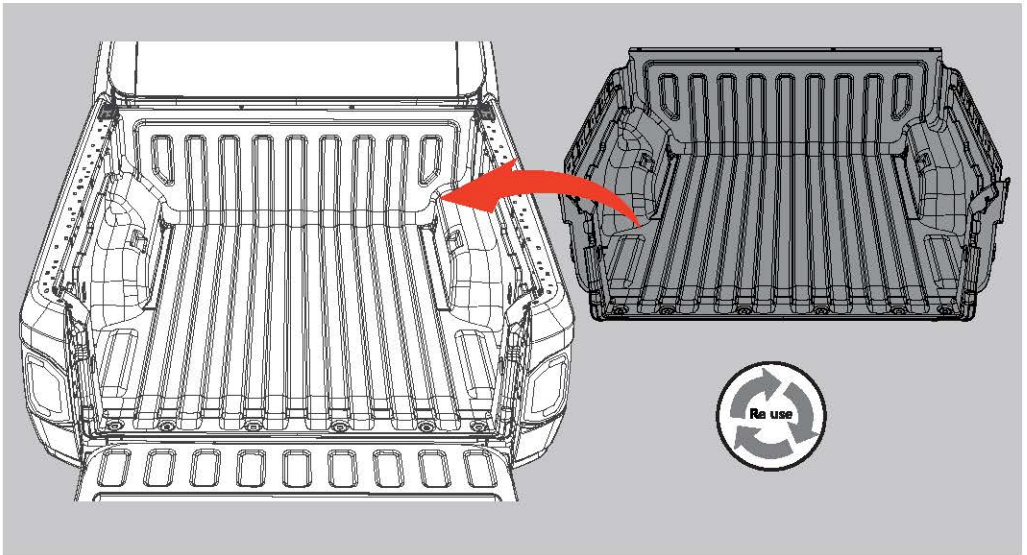
10-4. Reinf BRKT No. 2 Please completely fasten one M8x15 Low Head Bolt fastened to one hole behind LH.

※ The M8 Bolt reference torque value is 16.0 N·m (163.2 kgf·cm, 141.6 lbf·in).

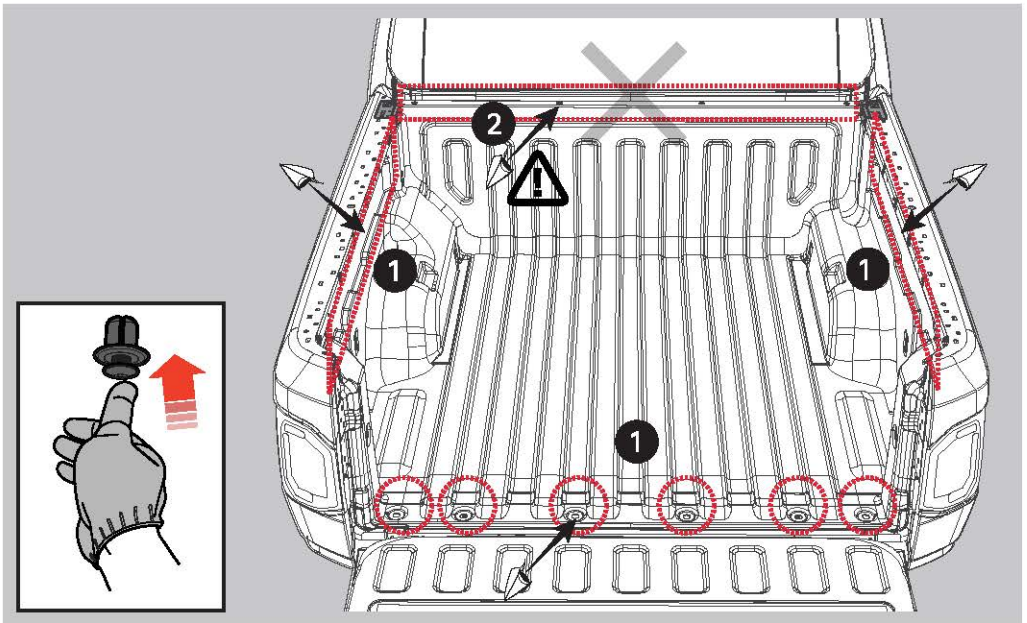
※ Please make sure that the two holes of Reinf BRKT No. 1 and 2 at the top match exactly when fastening.

※ Make sure that Reinf BRKT No. 1 and 2 match the vehicle panel exactly when engaged.

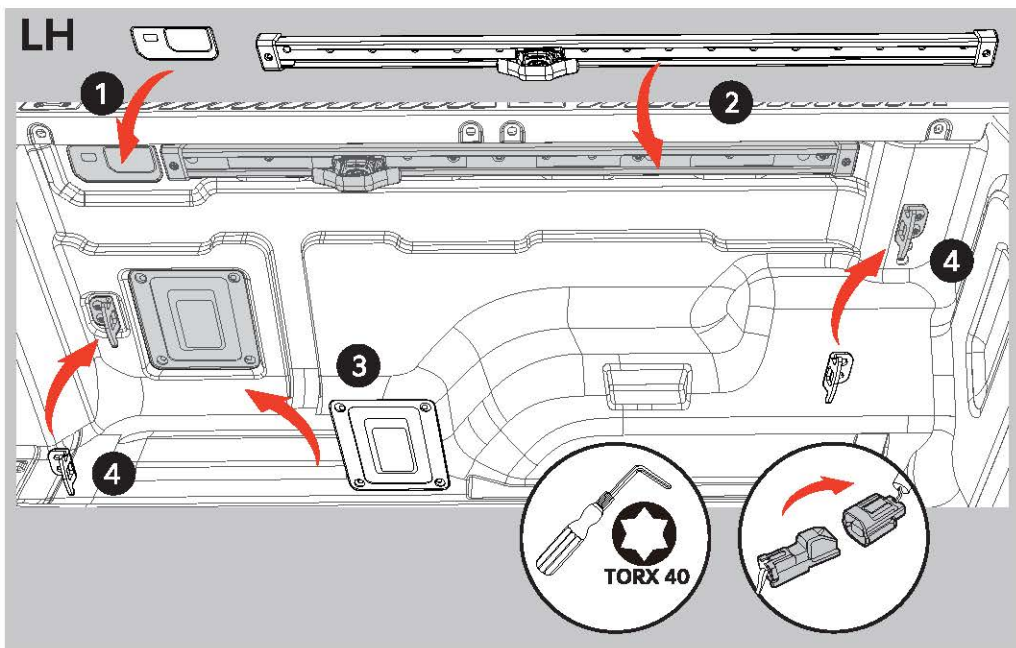
10-5. Please repeat the same operation for RH direction.



11. Position the bed liner on the panel of the vehicle.



12-1. Use a plastic retainer to fasten the bed liner to the panel of the vehicle.
12-2. Do not fasten to the four holes in front of the vehicle's panel.



13-1. Please install the lamp case in the direction of the bed liner LH.

※ Please attach the adapter.

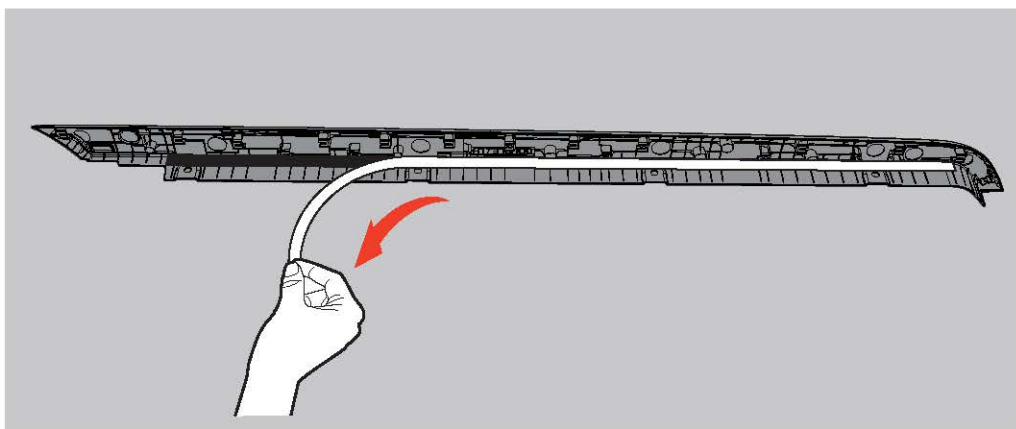
13-2. Install the side rail in the direction of the bed liner LH using the TORX wrench.

13-3. Install the adapter case in the direction of the bed liner LH using the TORX wrench.

※ Please attach the adapter.

13-4. Install the fixing ring in the direction of the bed liner LH using the TORX wrench.

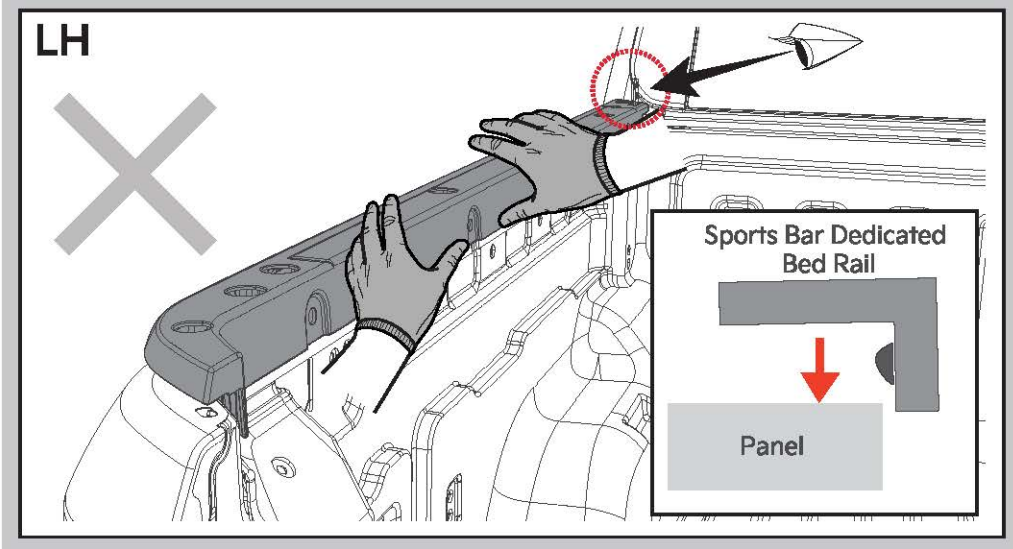
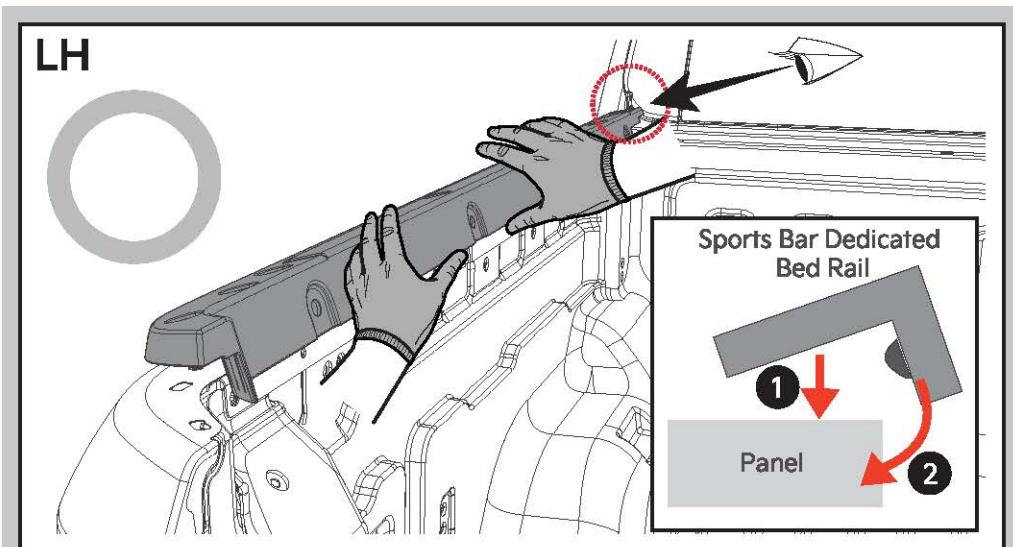
13-5. Please repeat the same operation for RH direction.



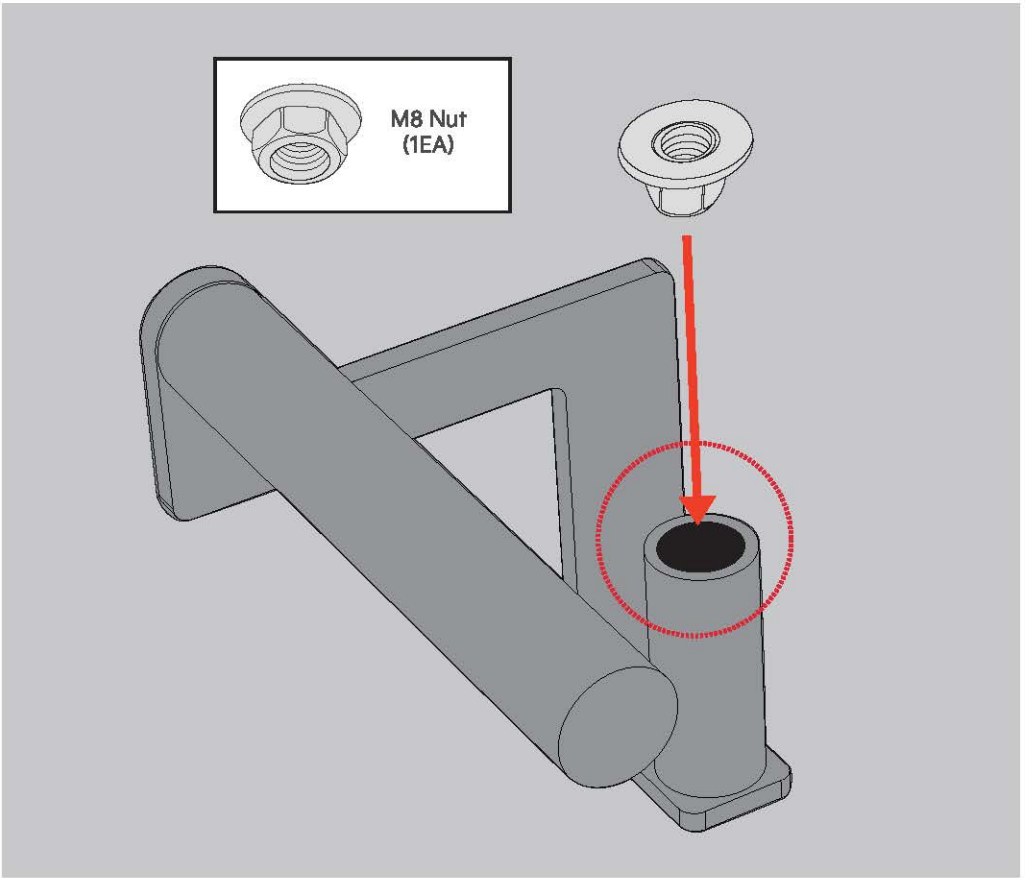
14. Remove the sealant pad tape from inside Sports Bar Dedicated Bed Rail LH, RH.

※ Make sure to keep the tape removal at least 18°C at room temperature.

※ Do not touch the surface of the sealant pad by hand.

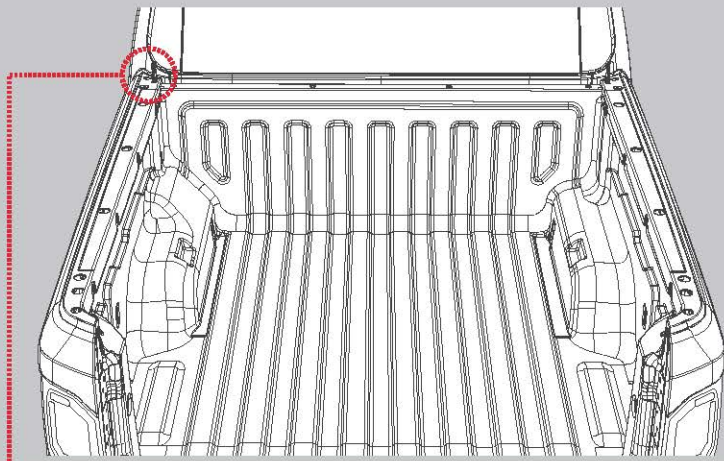


- 15-1. Install the Sports Bar Dedicated Bed Rail LH diagonally as indicated to the vehicle.
- ※ Position Reinf BRKT No. 1 and 2 in the front square hole of the Sports Bar Dedicated Bed Rail.
 - ※ Ensure that the sealant pads on the sides of the Sports Bar Dedicated Bed Rail are raised diagonally and fastened.
 - ※ Fasten the clips of the Sports Bar Dedicated Bed Rail to the correct location in the vehicle's clip hole.
 - ※ When fastening the clip, press firmly to hear a 'click' sound.
- 15-2. Please repeat the same operation for RH direction.



16. Fasten the M8 Nut to the magnetic hole of the Special Tool.
※ Fasten the M8 Nut as shown in the figure.

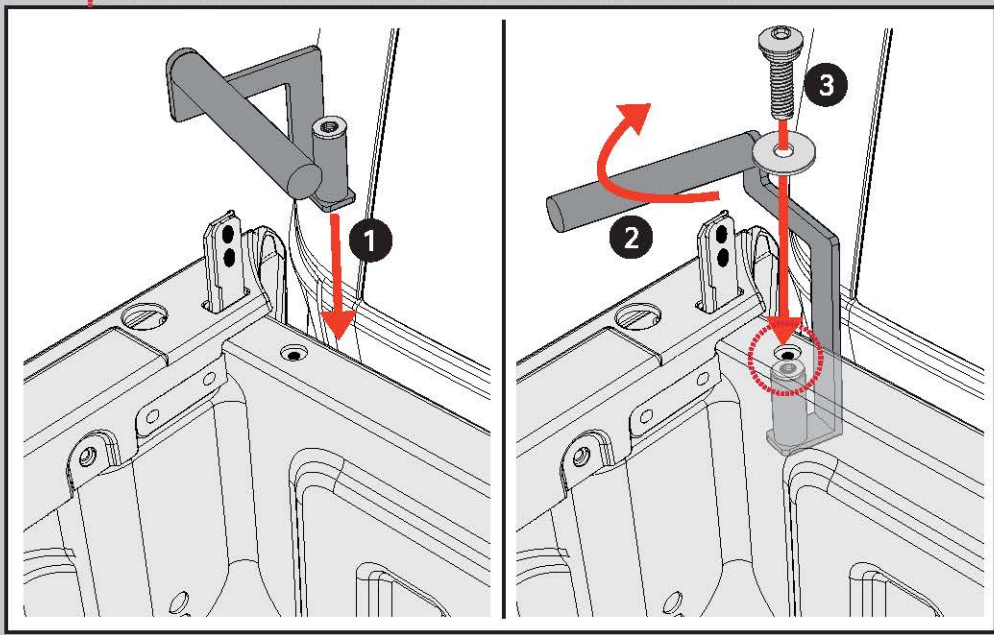
LH



M8x25 Bolt
(1EA)

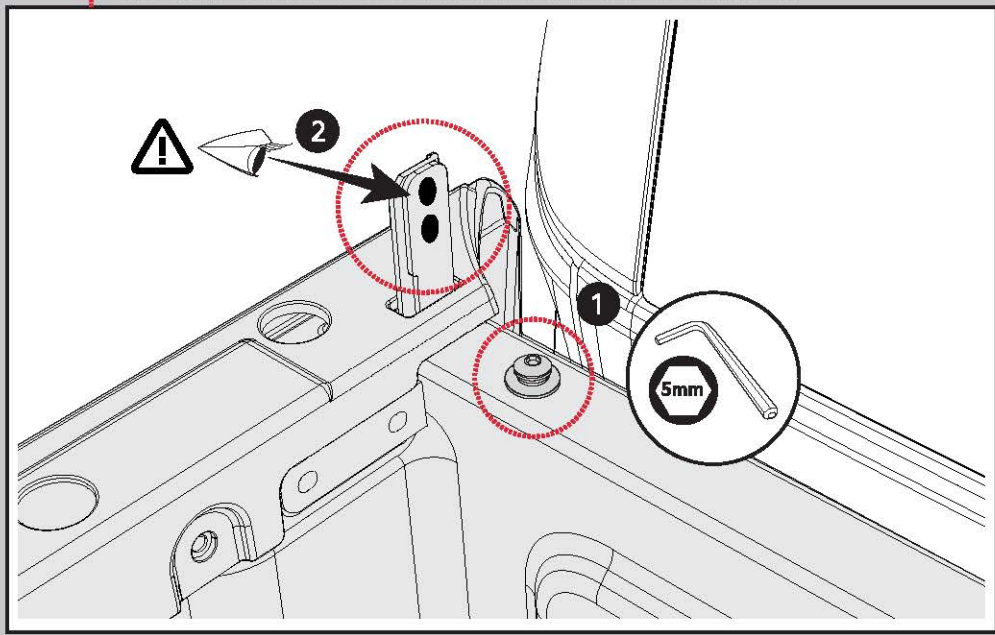
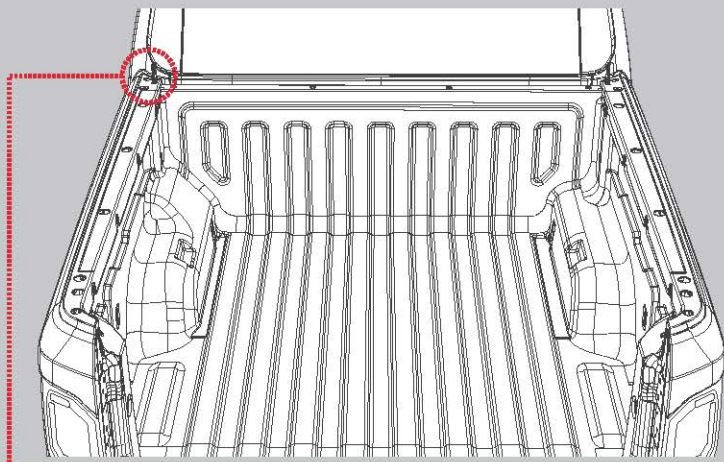


Washer
(1EA)



- 17-1. Insert the Nut-engaged Special Tool between the vehicle's bed liner and the rear glass.
※ Please work carefully to avoid damage to the panel.
- 17-2. Return the top hole of Reinf BRKT No. 1 to match the fastened nut of the Special Tool.
※ Please work carefully to avoid damage to the panel.
- 17-3. Please put one M8x25 Bolt and one washer in the top hole of Reinf BRKT No. 1.
※ Please make sure that the Nut of the Special Tool is correctly signed.
※ Fasten the hole in the bed liner to the inside of the washer.
- 17-4. Remove the Special Tool.
※ Please work carefully to avoid damage to the panel.
- 17-5. Please repeat the same operation for RH direction.

LH



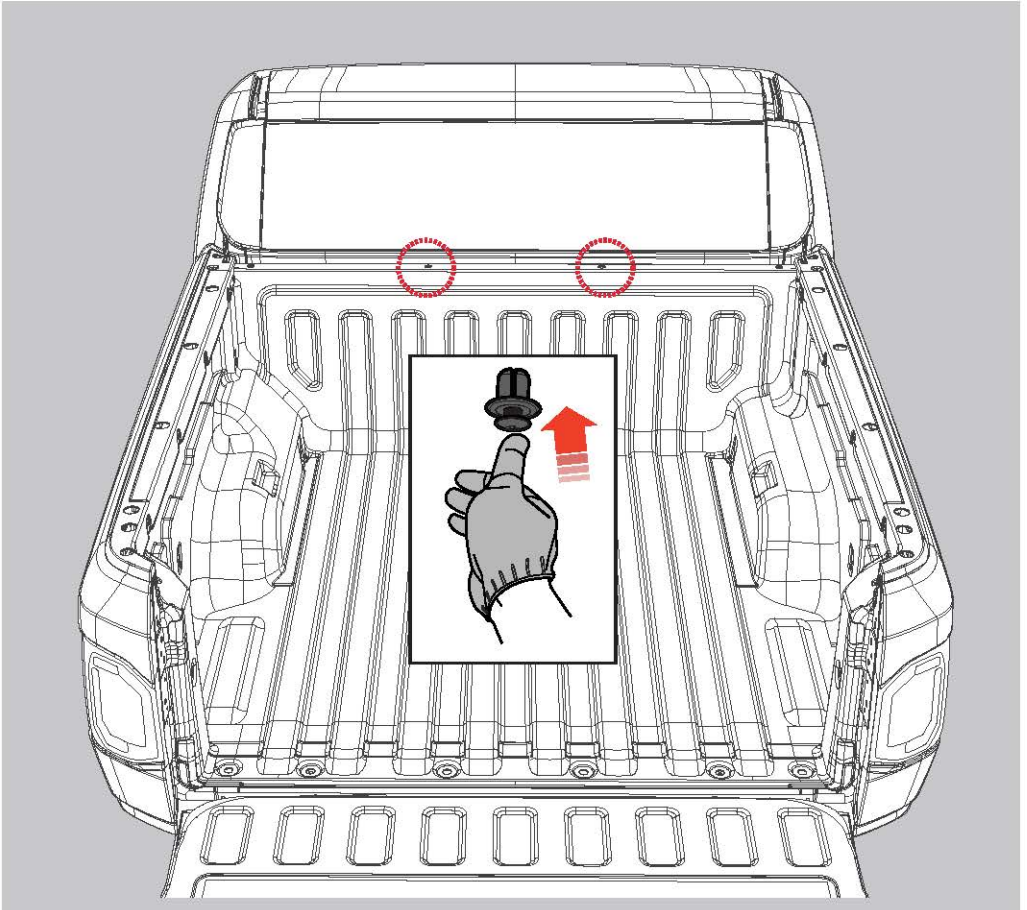
18-1. Please completely fasten 1 M8x25 Bolt and 1 washer fastened to the top hole of Reinf BRKT No. 1.

※ The M8 Bolt reference torque value is 16.0 N·m (163.2 kgf·cm, 141.6 lbf·in).

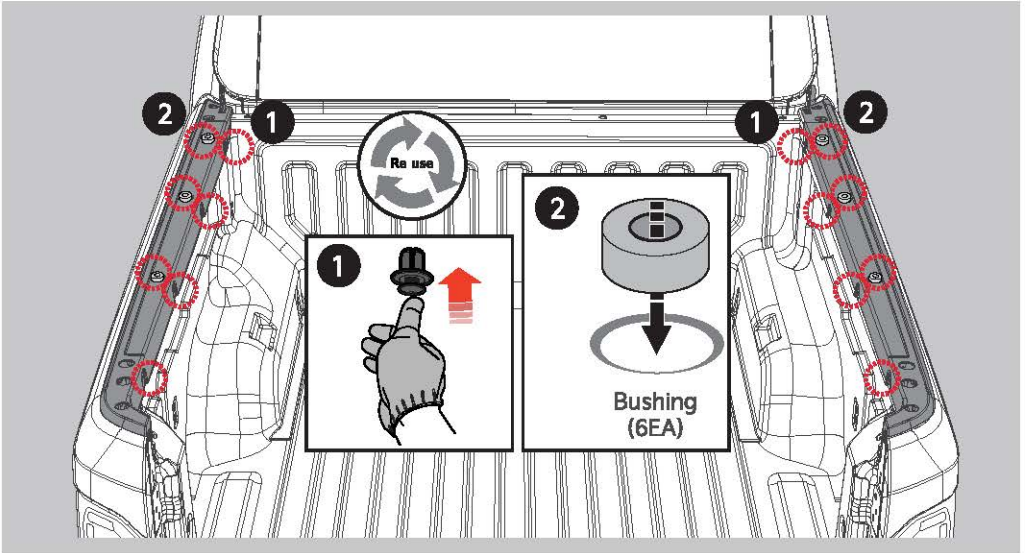
※ Fasten the hole in the bed liner to the inside of the washer.

※ Please make sure that the two holes of Reinf BRKT No. 1 and 2 at the top match exactly when fastening.

18-2. Please repeat the same operation for RH direction.



19. Using a plastic retainer, fasten the bed liner to the panel of the vehicle.
※ Please dispose of the remaining 2 plastic retainers.



20-1. Fasten the 8 holes on the side of the bed rail using 8 plastic retainers.

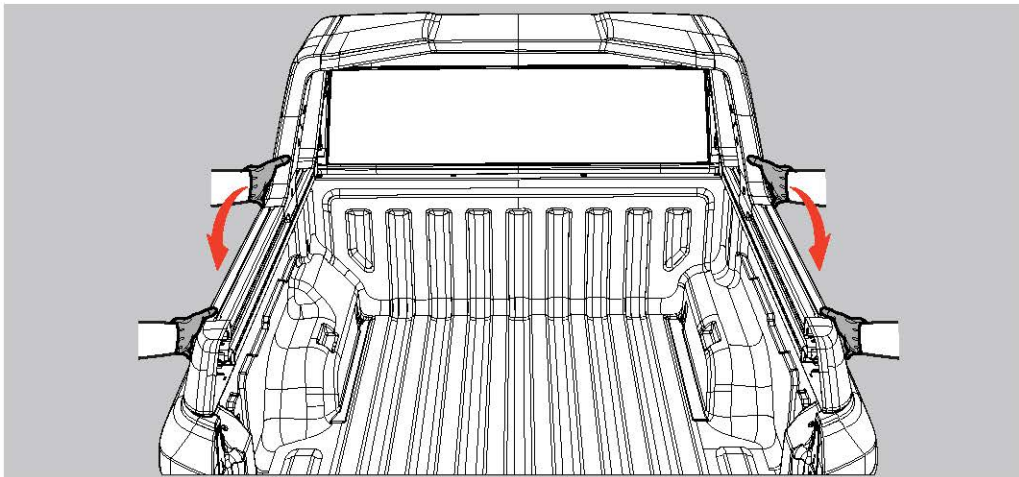
20-2. Insert 6 bushings into the 6 holes of the fitted bed rail.

※ The bushing insertion location is three holes located in the center of the bed rail.

※ Please note that the bushing is lost or misplaced.

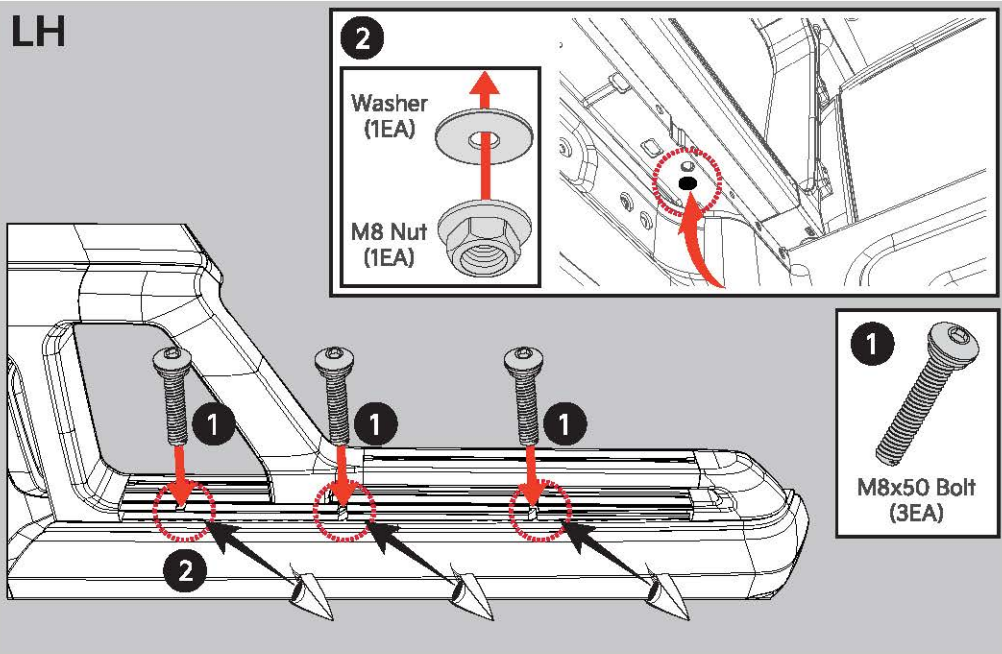
- Please first replace 'Quarter Fixed Garnish'.
Then start Sports Bar Installation.

- ① 'Quarter Fixed Garnish' replacement
- ② Sports Bar installation



21. Place the sports bar in the correct position on the top of the bed rail.
※ Combine it exactly to the hole and bushing position of the bed rail.

LH

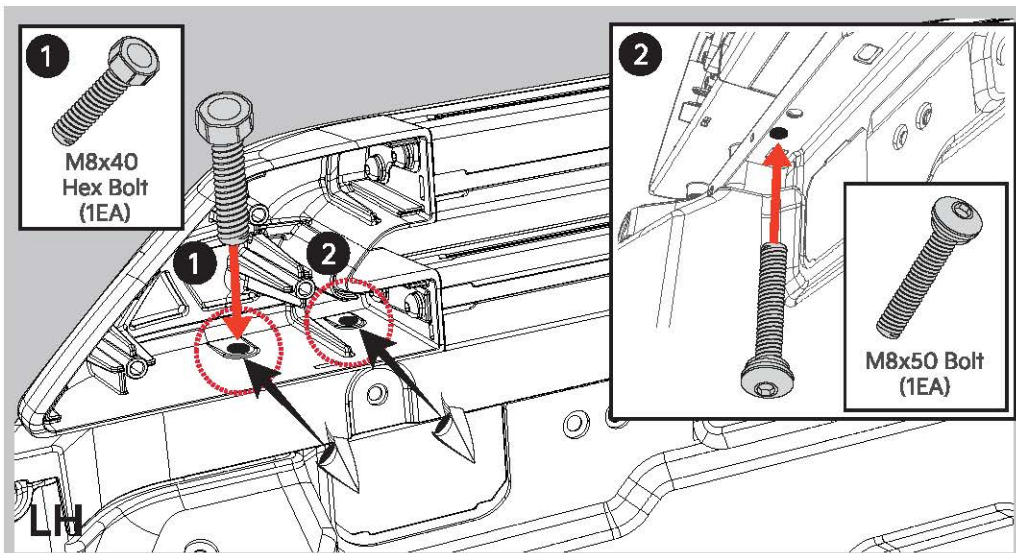


22-1. Put M8x50 Bolt on the 3 holes in the LH direction of the sports bar.

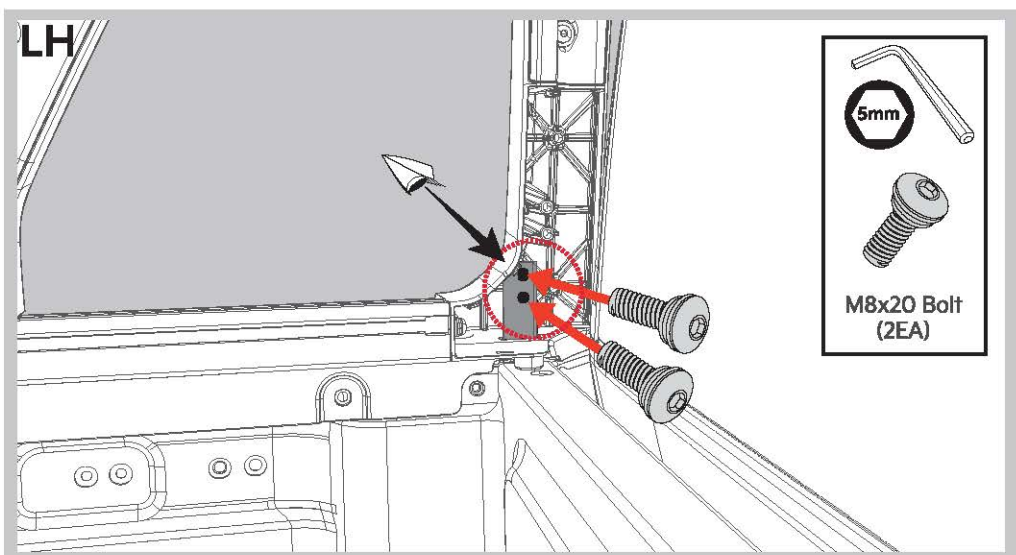
※ Make sure to match the bushing hole when M8 Bolt is engaged.

22-2. Insert the washer into the back of the first hole of the sports bar and temporarily fasten the M8 nut.

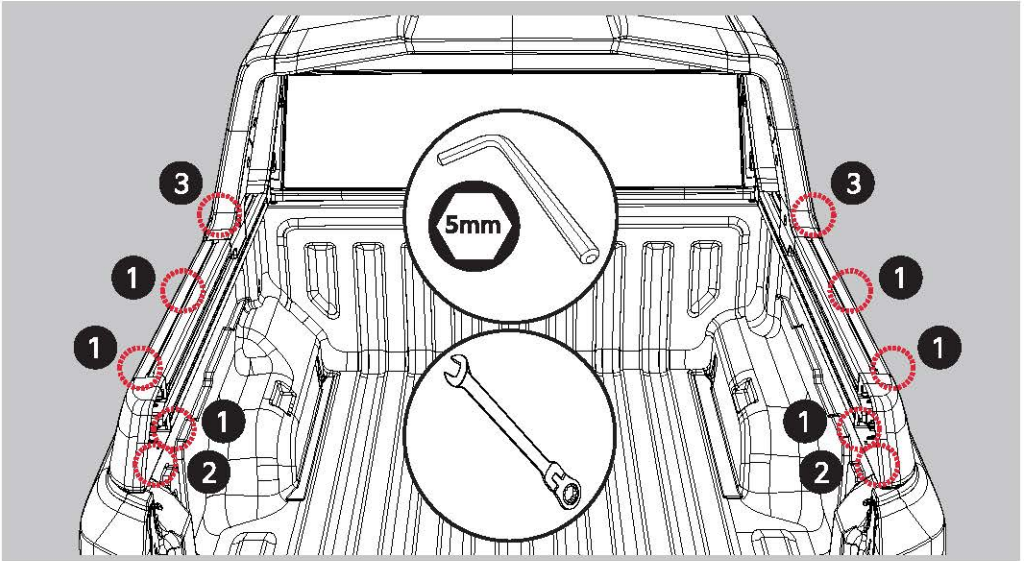
22-3. Please repeat the same operation for RH direction.



- 23-1. Put the M8x40 Hex Bolt in one hole in the LH direction at the back of the sports bar.
 23-2. Put the M8x50 Bolt on the back of one LH direction at the back of the sports bar.
 23-3. Please repeat the same operation for RH direction.



- 24-1. Reinf BRKT No. 1 Please fasten 2 M8x20 Bolt to 2 holes of LH.
 ※ The M8 Bolt reference torque value is 16.0 N·m (163.2 kgf·cm, 141.6 lbf·in).
 24-2. Please repeat the same operation for RH direction.



25-1. Please completely fasten 6 M8x50 Bolts that are provisionally attached.

※ The M8 Bolt reference torque value is 16.0 N·m (163.2 kgf·cm, 141.6 lbf·in).

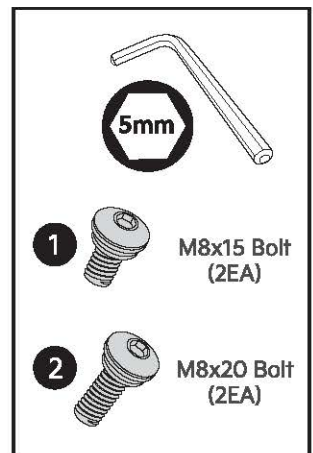
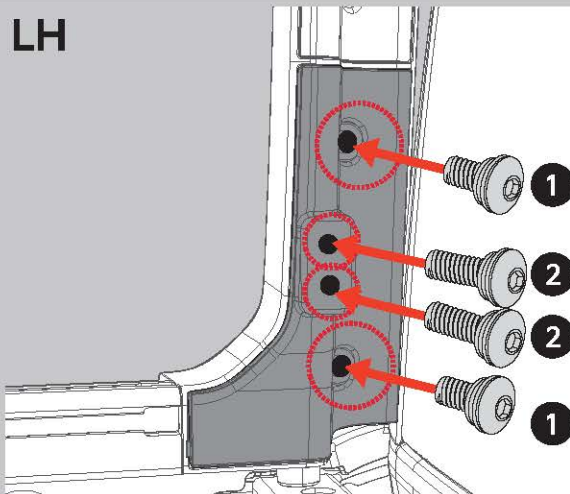
25-2. Use a spanner to fully fasten the two M8x40 Hex Bolts that have been assembled.

※ The M8 Bolt reference torque value is 16.0 N·m (163.2 kgf·cm, 141.6 lbf·in).

25-3. Secure the M8 Nut with a spanner and fully fasten the two M8x50 Bolts that are put together.

※ The M8 Bolt reference torque value is 16.0 N·m (163.2 kgf·cm, 141.6 lbf·in).

LH



26-1. Engage INR Cover No. 3 LH using 2 M8x15 Bolt inside the sports bar.

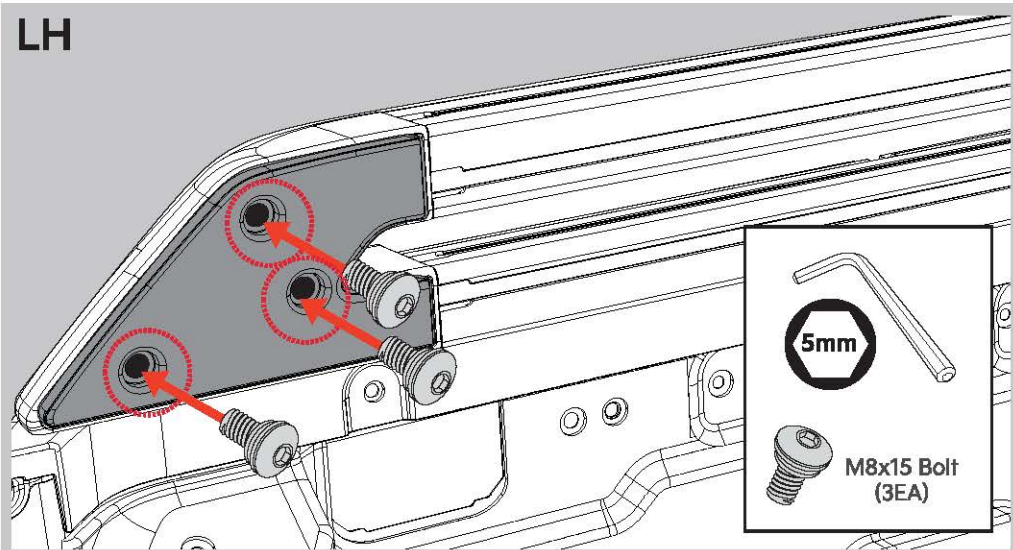
※ The M8 Bolt reference torque value is 16.0 N·m (163.2 kgf·cm, 141.6 lbf·in).

26-2. Engage INR Cover No. 3 LH using 2 M8x20 Bolt inside the sports bar.

※ The M8 Bolt reference torque value is 16.0 N·m (163.2 kgf·cm, 141.6 lbf·in).

26-3. Please repeat the same operation for RH direction.

LH

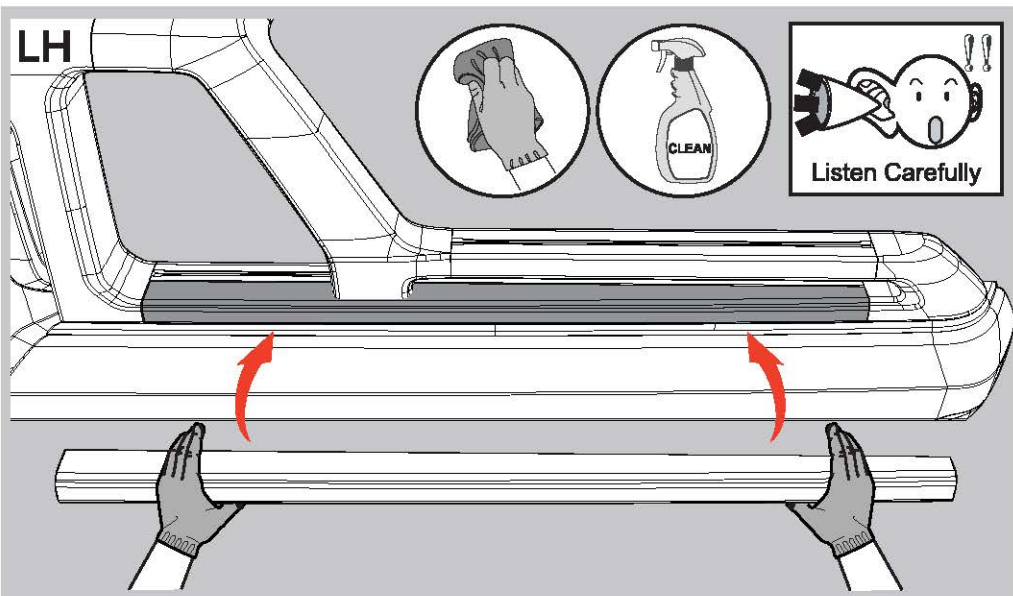


27-1. Engage INR Cover No. 4 LH using 3 M8x15 Bolt inside the sports bar.

※ The M8 Bolt reference torque value is 16.0 N·m (163.2 kgf·cm, 141.6 lbf·in).

27-2. Please repeat the same operation for RH direction.

LH



28-1. Please fasten the outer cover LH on the sports bar LH direction side.

※ Make sure there is a 'click' sound when fastening the outer cover clip.

28-2. Please repeat the same operation for RH direction.

28-3. Use IPA to clean the sports bar.

28-4. Installation is complete.

Caution

- This product is for "Sports Bar" only.
- Do not arbitrarily damage, modify, or transform the product.
- When using, do not apply excessive force and be careful because sharp objects may damage the product.
- When cleaning the product, wipe it with a clean cloth.
- We are not responsible for accidents, breakdowns and damages caused by consumer carelessness and negligence.

Matters to be marked according to safety/display standards

Product Name: Sports Bar

Key Specifications: Sports Bar

Size : 1670×1784×540 (mm)

Country of production : Republic of Korea

Date of production : Box marked separately

Manufacturer : AIA Co., Ltd.

Product Quality Guarantee

- Only product defects can be exchanged, and damage or damage caused by careless handling is excluded from the warranty.
(Warranty period: 1 year from the date of purchase)